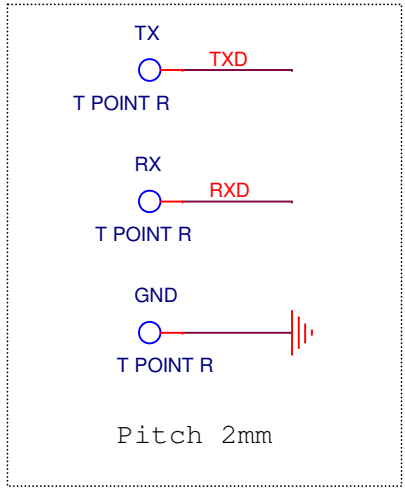
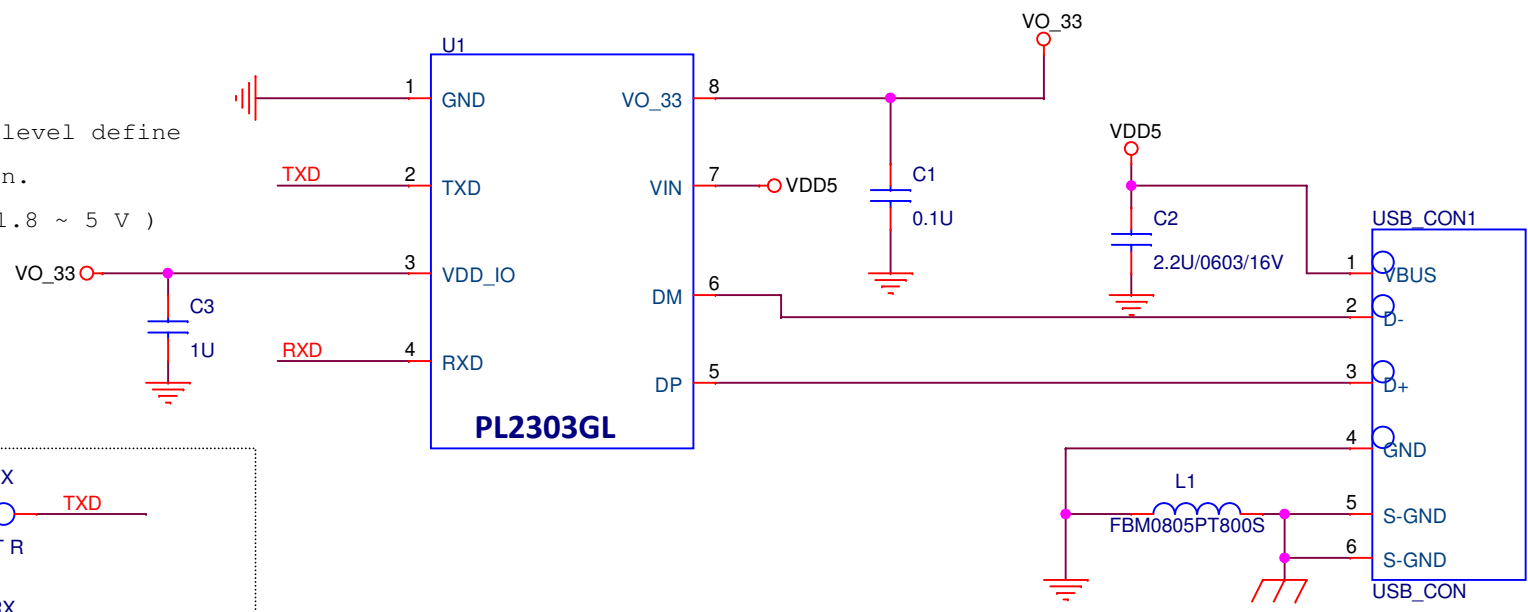


The pin 3 voltage level define  
 by your application.  
 ( Tolerant range : 1.8 ~ 5 V )



Title		
Prolific Technology Inc		
Size A	Document Number USB to RS232 TX/RX	Rev 1.1
Date:	Thursday, January 17, 2019	Sheet 1 of 1