

PL2303GD

USB-CDC to Serial Bridge Controller

OVERVIEW

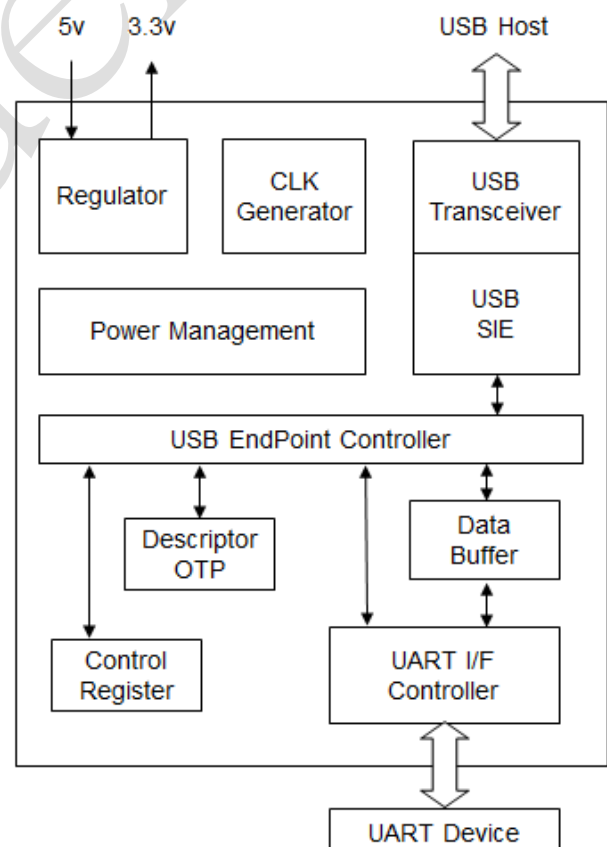
The PL2303GD is a full-featured single-chip USB-CDC to UART bridge controller for connecting a full-duplex UART asynchronous serial interface device to any Universal Serial Bus (USB) capable host. The PL2303GD implements the standard USB-CDC Device which is natively supported in most of operating systems; so the PL2303GD does not need any custom driver installation. The operating system or USB host communicates with the PL2303GD through USB-CDC application software developed based on Windows/Mac/Linux DLL libraries provided by Prolific.

USB-CDC device is natively supported in most of operating systems such as Mac OS X 10.7, Linux 3.8, Android 3.2 and their later version. Prolific provides SDK for customers to develop their application software. Refer to instruction of PL2303GD SDK on how to control PL2303GD GPIO using the API in SDK.

FEATURES

- Full Compliant with USB Specification v2.0 (Full-Speed)
- On-chip USB 1.1 transceiver and 5V to 3.3V regulator
- On-chip 96MHz Clock Generator
- Supports OTPROM (One-Time Programmable ROM) for USB device descriptors. OTPROM can be programmed directly through USB port.
- 1024-byte bi-directional data buffers (768-byte receive/256-byte transmit).
- Each IC has unique ID (for Serial Number)
- USB-CDC driver and SDK:
 - Built-in USB-CDC driver on Win10, Mac OS X 10.7, Linux 3.8, Android 3.2 or above
 - Provides USB-CDC to UART SDK for Mac OS X, Linux, and Android and SDK of virtual-com-port for Windows.
- Supports Battery Charger (BC1.2) detection to enable fast charging of batteries.
- Package type: SSOP16

BLOCK DIAGRAM



Prolific Technology Inc.

7F, #48, Sec.3, Nan-Kang Rd., Taipei, Taiwan 115, ROC
Tel: 886-2-2654-6363 Fax: 886-2-2654-6161
E-mail: sales@prolific.com.tw
<http://www.prolific.com.tw>