

PL2303GT

USB to RS232 Bridge Controller

OVERVIEW

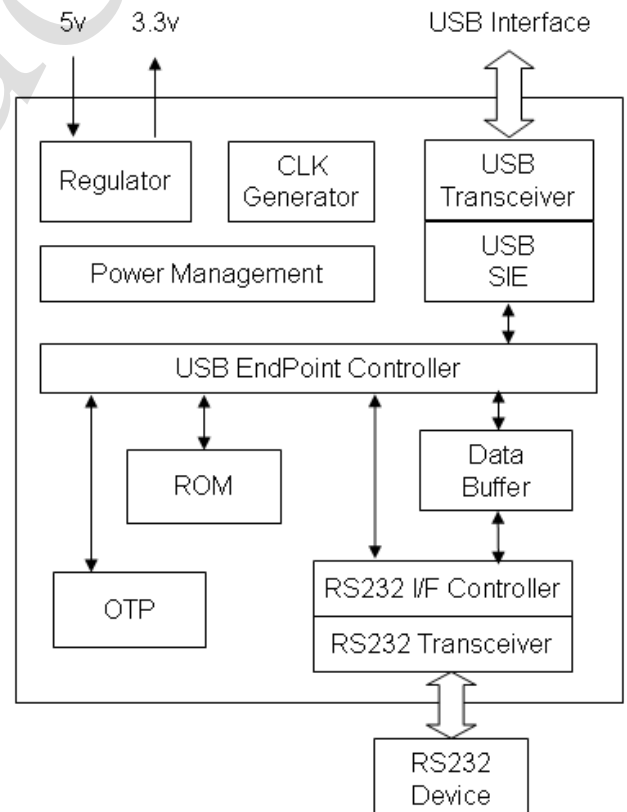
The PL2303GT is a low cost and high performance USB-to-RS232 Bridge Controller with built-in RS232 transceiver. The PL2303GT provides a convenient solution for connecting an RS-232 full-duplex asynchronous serial device to any Universal Serial Bus (USB) capable host. The PL2303GT highly compatible drivers could simulate the traditional COM port on most operating systems allowing the existing applications based on COM port to easily migrate and be made USB ready.

The PL2303GT integrates a high baud rate RS-232 transceiver that meets the EIA/TIA-232F and CCITT V.28 communications interface specifications. The RS-232 transceiver is a 3-transmitters and 5-receivers device with a high-efficient charge pump circuit embedded. It provides the bipolar output to the transmitters, and makes the transmitters to deliver the RS-232 output voltage levels. Under normal operation, PL2303GT operates at very low power consumption with guaranteed data rate up to 1Mbps.

FEATURES

- Full Compliant with USB Specification v2.0 (Full-Speed)
- On-chip USB 1.1 transceiver and 5V to 3.3V regulator
- On-chip 96MHz Clock Generator
- Built-in RS232 Transceiver
 - Follow EIA/TIA-232F standards
 - Full UART RS232 interface pins (TXD, RXD, RTS, CTS, DTR, DSR, DCD, and RI)
 - Flexible baud rate support up to 1Mbps
 - Three RS232 Drivers design
 - Five RS232 Receivers (always active)
 - Hardware and software flow control
- On-chip OTP (One Time Programmable) ROM for writing startup device configurations.
- Each IC has unique ID(for Serial Number)
- 1024-byte bi-directional data buffers (768-byte receive/256-byte transmit).
- Package type: SSOP28

BLOCK DIAGRAM



Prolific Technology Inc.

7F, #48, Sec.3, Nan-Kang Rd., Taipei, Taiwan 115, ROC
Tel: 886-2-2654-6363 Fax: 886-2-2654-6161
E-mail: sales@prolific.com.tw
<http://www.prolific.com.tw>