

PL2303GC

USB to Serial Bridge Controller

OVERVIEW

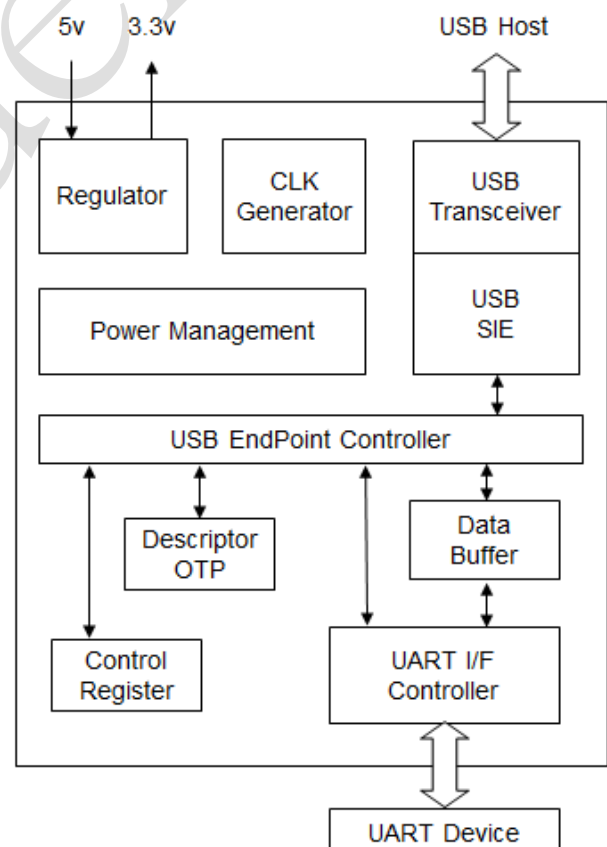
The PL2303GC is a low cost and high performance USB-to-Serial Bridge Controller. The PL2303GC provides a convenient small-factor solution for connecting an RS232-like full-duplex asynchronous serial device to any USB host. Prolific provides highly compatible drivers that could simulate the traditional COM port on most operating systems allowing the existing applications based on COM port to easily migrate and be made USB ready.

By taking advantage of USB bulk transfer mode and large data buffers, PL2303GC is capable of achieving higher throughput compared to traditional UART (Universal Asynchronous Receiver Transmitter) ports. The flexible baud rate generator of PL2303GC also could be programmed to generate any rate between 1 bps to 12 Mbps.

FEATURES

- Full Compliant with USB Specification v2.0 (Full-Speed)
- On-chip USB 1.1 transceiver and 5V to 3.3V regulator
- On-chip 96MHz Clock Generator
- Supports OTPROM (One-Time Programmable ROM) for USB device descriptors. OTPROM can be programmed directly through USB port.
- Each IC has unique ID(for Serial Number)
- Full-duplex transmitter and receiver
 - 5, 6, 7, or 8 data bits
 - Odd, Even, Mark, Space, or None parity mode
 - 1, 1.5, or 2 stop bits
 - Parity error, frame error, and serial break detection
 - Programmable baud rate from 1bps to 12Mbps
 - Independent power source for serial interface
 - Works with existing PC COM Port software applications
- 1024-byte bi-directional data buffers (768-byte receive/256-byte transmit).
- Package type: SSOP28 / UQFN24

BLOCK DIAGRAM



Prolific Technology Inc.

7F, #48, Sec.3, Nan-Kang Rd., Taipei, Taiwan 115, ROC
Tel: 886-2-2654-6363 Fax: 886-2-2654-6161
E-mail: sales@prolific.com.tw
<http://www.prolific.com.tw>