

PL2773

USB3.0/eSATAII to SATAII Bridge Controller

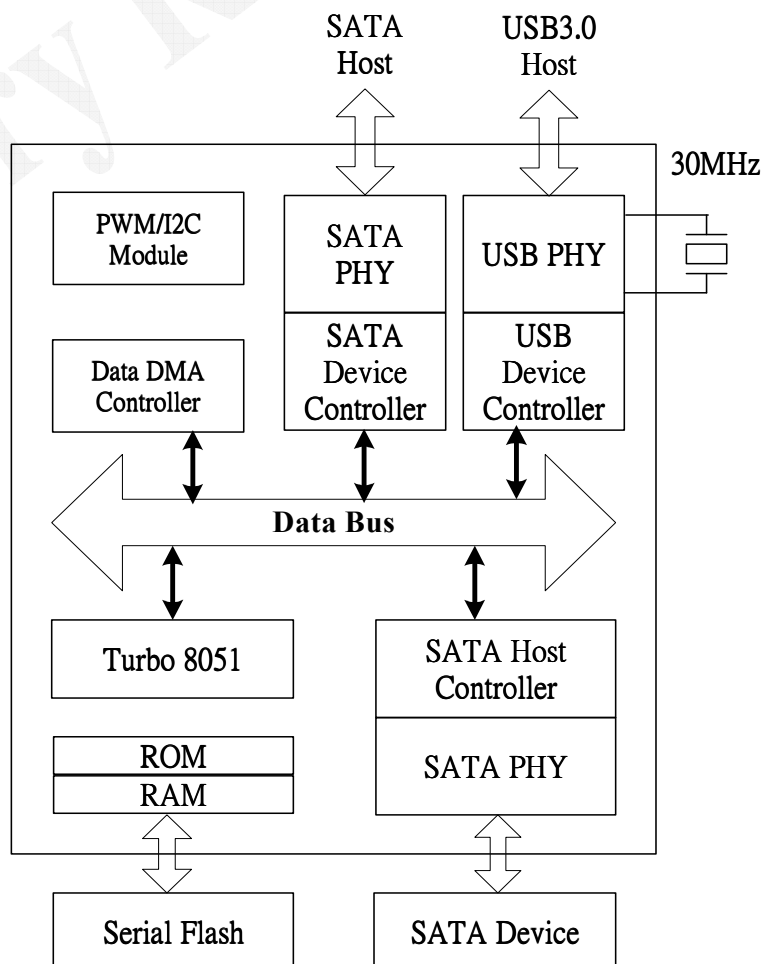
OVERVIEW

The PL2773 is a single-chip SuperSpeed USB3.0 or eSATAII to SATAII compliant bridge controller that is designed to perform seamless protocol transfer between the USB3.0/eSATA and SATAII interface. The PL2773 is implemented according to the USB Mass Storage Class driver. It supports USB3.0 SuperSpeed with 5Gb/s bandwidth and eSATA with 3Gb/s bandwidth. SuperSpeed USB 3.0(5Gb/s) delivers ten times the performance of Hi-Speed USB 2.0(480Mb/s) while offering backward compatibility with the billions of USB-enabled PCs and peripheral devices. It is fully backward compatible to all USB 2.0 and USB 1.1 hosts and operates under SuperSpeed, Hi-Speed, and Full-Speed USB connections. eSATA Mode has data bandwidth with 3Gbps and backward compatible with 1.5Gbps. The PL2773 also has an embedded high performance 8-bit microcontroller that can be used to support versatile system applications such as one button backup, power control, and other features for USB/eSATA port.

FEATURES

- Compliant with USB 3.0 and USB2.0 Specification
- Serial ATA Revision 3.0 Specification Compliant
- Ultra-low power 1.2V core operating voltage by 0.13um process
- Embedded USB3/USB2/SATA PHY and Controller
- Configurable USB3/eSATA connections priority
- Switch USB3 or eSATA connection automatically
- Multi-function General Purpose IO (GPIO) pins can be defined for USB speed LED, button inputs, and other special functions.
- Applications support : OTB, Autorun/Password, Capacity Indicator, Power management
- Support Serial ATA hot-plug
- Support single 30MHz reference clock
- Firmware upgradeable through USB interface
- Support PWM interface and generic SPI/I2C master/slave interface
- Provide SDK for General Purpose IO pins for further applications
- Package Type : LQFP64

BLOCK DIAGRAM



Prolific Technology Inc.

7F, #48, Sec.3, Nan-Kang Rd., Taipei, Taiwan 115
Tel: 886-2-2654-6363 Fax: 886-2-2654-6161
E-mail: sales@prolific.com.tw
http://www.prolific.com.tw

