

PL2303TA

USB to Serial Bridge Controller

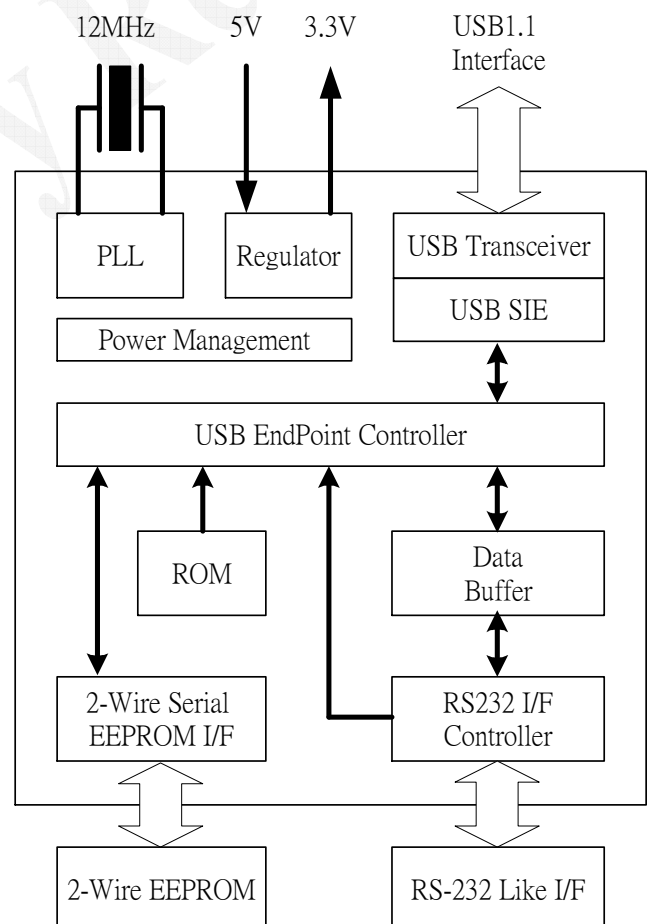
OVERVIEW

The PL2303TA is a low cost and high performance USB-to-Serial Bridge Controller. The PL2303TA provides a convenient solution for connecting an RS-232 like full-duplex asynchronous serial device to any Universal Serial Bus (USB) capable host. The PL2303TA highly compatible drivers could simulate the traditional COM port on most operating systems allowing the existing applications based on COM port to easily migrate and be made USB ready. The PL2303TA is exclusively designed for mobile and embedded solutions in mind, providing a small footprint that could easily fit in to any connectors and handheld devices. With very small power consumption in either operating or suspend mode, the PL2303TA is perfect for bus powered operation with plenty of power left for the attached devices. PL2303TA is Pin-to-Pin compatible with PL-2303HXA and PL-2303XA.

FEATURES

- Full Compliant with USB Specification v2.0 (Full-Speed)
- On chip USB 1.1 transceiver, 5V to 3.3V regulator, and 12 MHz crystal oscillator
- Supports RS-232 like serial interface
 - Full-duplex transmitter and receiver (TXD and RXD)
 - Six MODEM control pins (RTS, CTS, DTR, DSR, DCD, and RI)
 - Parity error, frame error, and serial break detection
 - Programmable baud rate from 75 bps to 6,000,000 bps
- Extensive flow control mechanism
 - Adjustable high/low watermark level
 - Automatic flow control with CTS/RTS/ XON/XOFF
- Configurable 256-byte outbound buffer and 256-byte inbound buffer or 128-byte outbound buffer and 384-byte inbound buffer
- Supports remote wake-up from MODEM input signals
- Two general purpose I/O (GPIO) pins
- Optional external EEPROM for startup device configurations
- Small footprint 28-pin SSOP IC package
- Pin compatible with PL-2303HXA and PL-2303XA

BLOCK DIAGRAM



Prolific Technology Inc.

7F, #48, Sec.3, Nan-Kang Rd., Taipei, Taiwan 115, ROC
Tel: 886-2-2654-6363 Fax: 886-2-2654-6161
E-mail : sales@prolific.com.tw
<http://www.prolific.com.tw>

