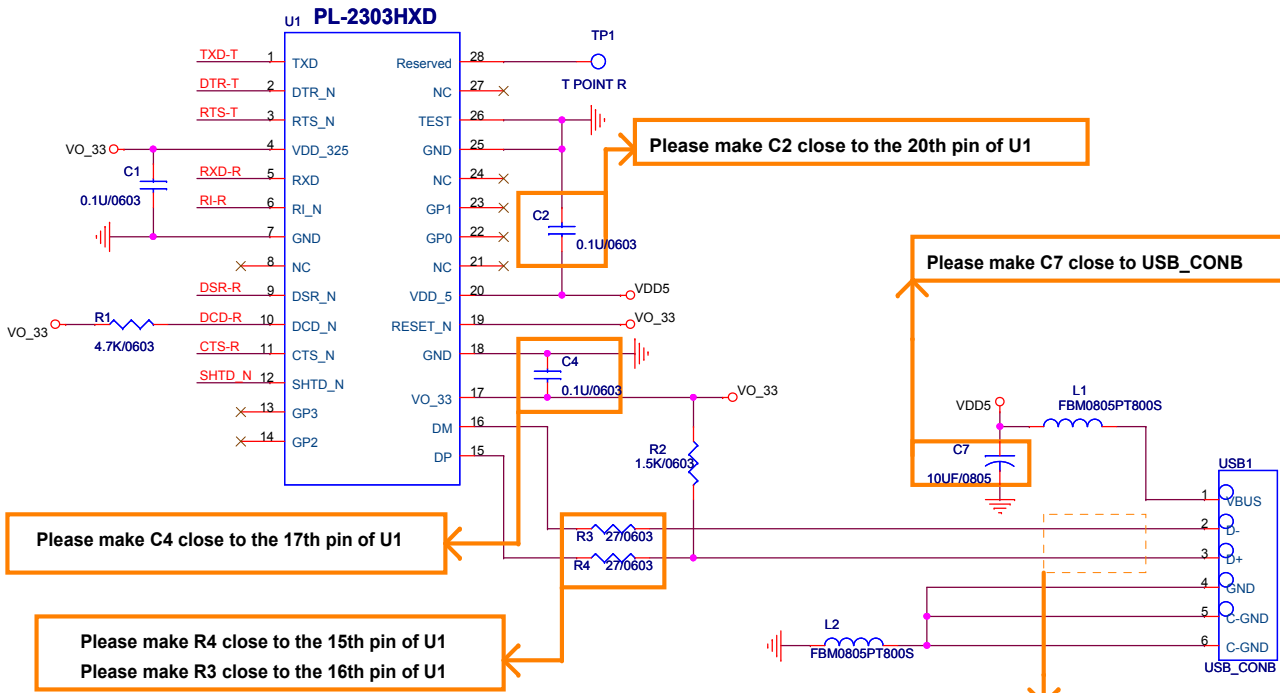
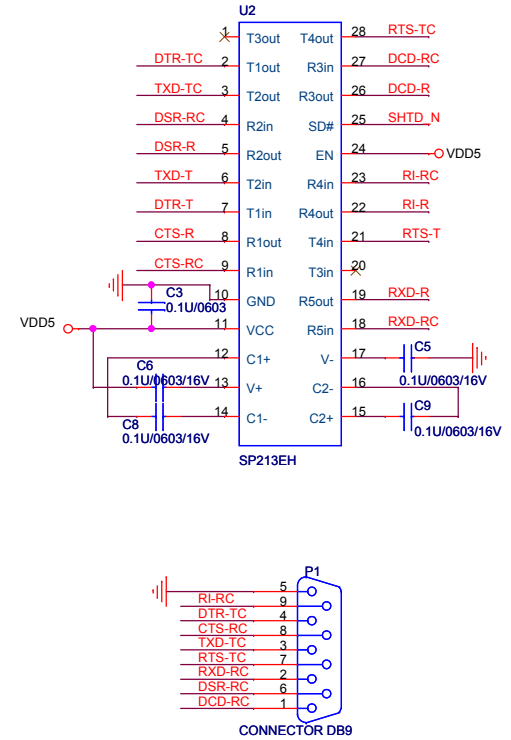
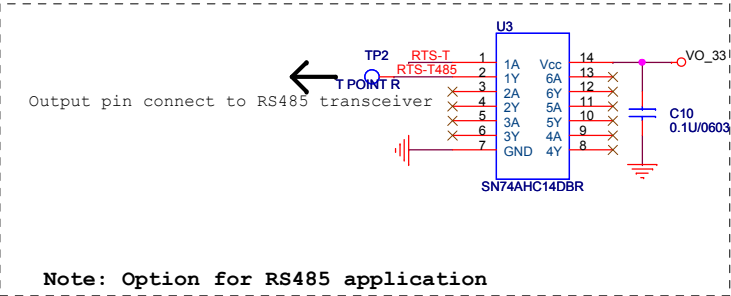


### Application for RS-232 Transceiver



The traces between DM and DP of PL2303 and USB connector should be parallel and also not cross any signal traces. The length of them is suggested as short as possible.



Note: Option for RS485 application

	Drawing Name <b>PL-2303HXD</b>		Designer <i>name</i>	Size <b>B</b>
	Version <b>1.2</b>	Date <b>10/12/2009</b>	Sheet <b>1</b> of <b>1</b>	