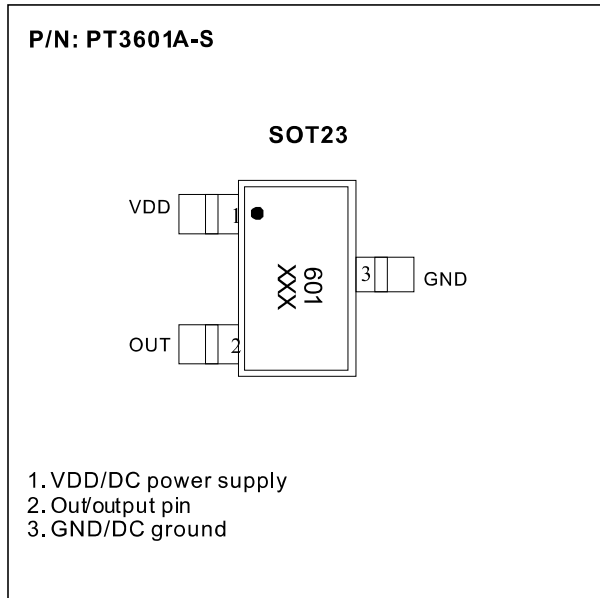


Package: SOT-23



The PT3601A is designed for magnetic actuating using a bipolar magnetic field. The built-in dynamic offset cancellation of pre-amplifier stage achieves optimal symmetrical magnetic sensing. This Hall effect IC is optimal for DC brushless motor application. The supply voltage range is from 2.5V to 18V and maximum output current is 25mA.

Specifications

Absolute Maximum Ratings (Ta=25°C)

Parameter	Symbol	Conditions	Rating	Units
Maximum supply voltage	V_{DDmax}		18	V
Allowable power dissipation	P_d	SOT23	300	mW
Operating temperature	T_a		-40~+125	°C
Storage temperature	T_s		-50~+150	°C
Max. output current	I_{OMAX}		25	mA

*: On 50mm x 50mm x 1.6mm glass epoxy board

Key Features

- 2.5V~18V operation
- High sensitivity ; $\pm 15G$
- Built-in dynamic offset cancellation
- High balance and low thermal drift magnetic sensing
- ESD protection to 8KV
- Open drain output

Applications

- Brushless DC motor
- Tachometer
- Cover detection
- Fluid level detection