

## PL-2571

# Hi-Speed USB to SATAII Bridge Controller

### OVERVIEW

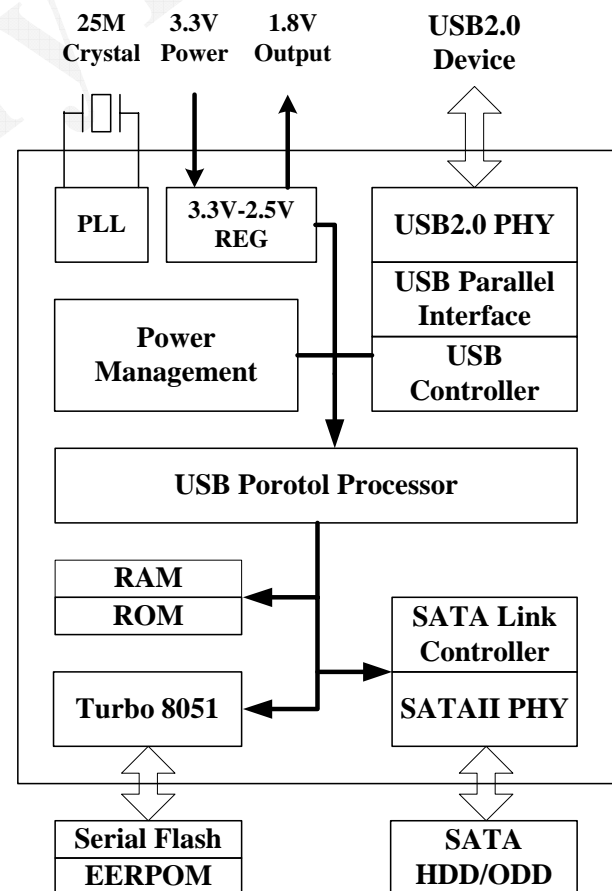
The PL-2571 is a single chip Hi-Speed USB-to-SATA bridge controller that is designed to perform seamless protocol transfer between the USB and SATA interface.

The PL-2571 can also automatically detect and switch between 1.5GHz and 3GHz SATA speed to support broad range of Serial ATA devices. A high performance 8-bit microcontroller is embedded which can be used to support versatile system applications such as one button backup, power control, and others. It is also very easy to upgrade or change the internal firmware through USB interface for different applications or function upgrade by using an external EEPROM or SPI Flash. The PL-2571 is implemented according to the USB Bulk-Only Mass Storage Class specification ver1.0. The USB mass storage driver is integrated in most OSes so no additional driver is needed.

### FEATURES

- Serial ATA Revision 2.5 Specification Compliant
- Universal Serial Bus Specification 2.0 Compliant
- Serial ATA 1.5Gbps/3Gbps speed auto-detection
- Integrated Serial ATA Transport, Link logic and PHY
- Support Serial ATA hot-plug
- Support USB Mass Storage Class
- Support 25MHz Reference Clock
- Support external serial EEPROM to customize vender/product related information
- Support external SPI serial Flash to customize FW
- Serial EEPROM or Serial Flash contents can be updated through USB interface
- Additional General Purpose IO pins for further customization
- On-chip 3.3v to 1.8v regulator
- Package Type : LQFP64

### BLOCK DIAGRAM



### Prolific Technology Inc.